

**CUSTOM SADDLEBAG SUPPORT
 INSTALLATION INSTRUCTIONS
 STR-4WM73-40-00
 XV1600A "ROAD STAR"**



INTRODUCTION

Please read and understand these instructions completely before installation to avoid any possible injury to yourself or damage to your motorcycle and/or accessory.

DEALER: These instructions contain important information for future reference and must be given to the customer.

PARTS LIST			
Item	Part Name	Description	Qty
1	Saddlebag Support - Left		1
2	Saddlebag Support - Right		1
3	Plug, Chrome		4
4	Backrest Sidearm		Ref.
5	Fender Stay		Ref.
6	Spacer	Chrome	4
7	Socket Head Cap Screw	M8 x 1.25P x 65 mm LG	4

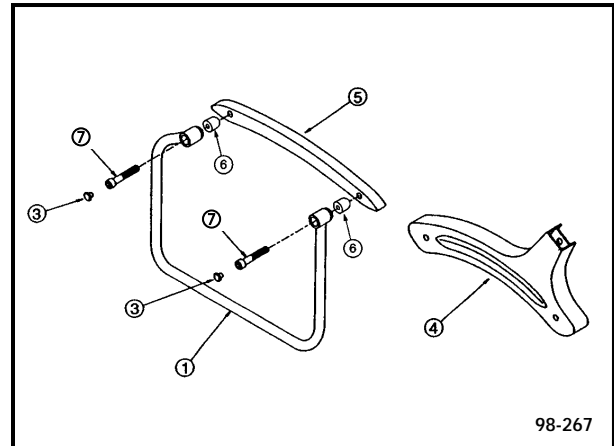
*Some parts listed are for reference only:

TOOLS REQUIRED

- 1 - 6mm Hex Key Wrench
- 1 - Torque Wrench

INSTALLATION

1. Place the motorcycle on a level surface, securely resting on its side stand.
2. Start with the left side. Remove the Screws holding the Fender Stay ⑤ or Backrest Sidearm ④. Store the hardware in case the Saddlebag Supports are removed later.
3. Mount the left Saddlebag Support ① to the Fender Stay or Backrest Sidearm with the Socket Head Cap Screws ⑦, using a Spacer ⑥ behind the Saddlebag Support at each end as shown. **Finger tighten the screws.**
4. Be sure the Saddlebag Support is aligned properly, then tighten the Screw.
Tightening Torque: 22 ft-lb (3.0 m-kg)
5. Install a Chrome Plug ③ into the Screw Heads to finish.
6. Repeat the procedure on the right side.



CARE AND CLEANING

Refer to your **Owners Manual**.

CUSTOMER SERVICE

For more information regarding installation, please contact your Yamaha dealer.

MAINTENANCE

Periodically check screw tightness.