

REAR LUGGAGE RACK INSTALLATION INSTRUCTIONS

STR-5EL51-10-00 "V STAR" MODELS



INTRODUCTION

Please read and understand these instructions completely before installation to avoid any possible injury to yourself or damage to your motorcycle and/or accessory.

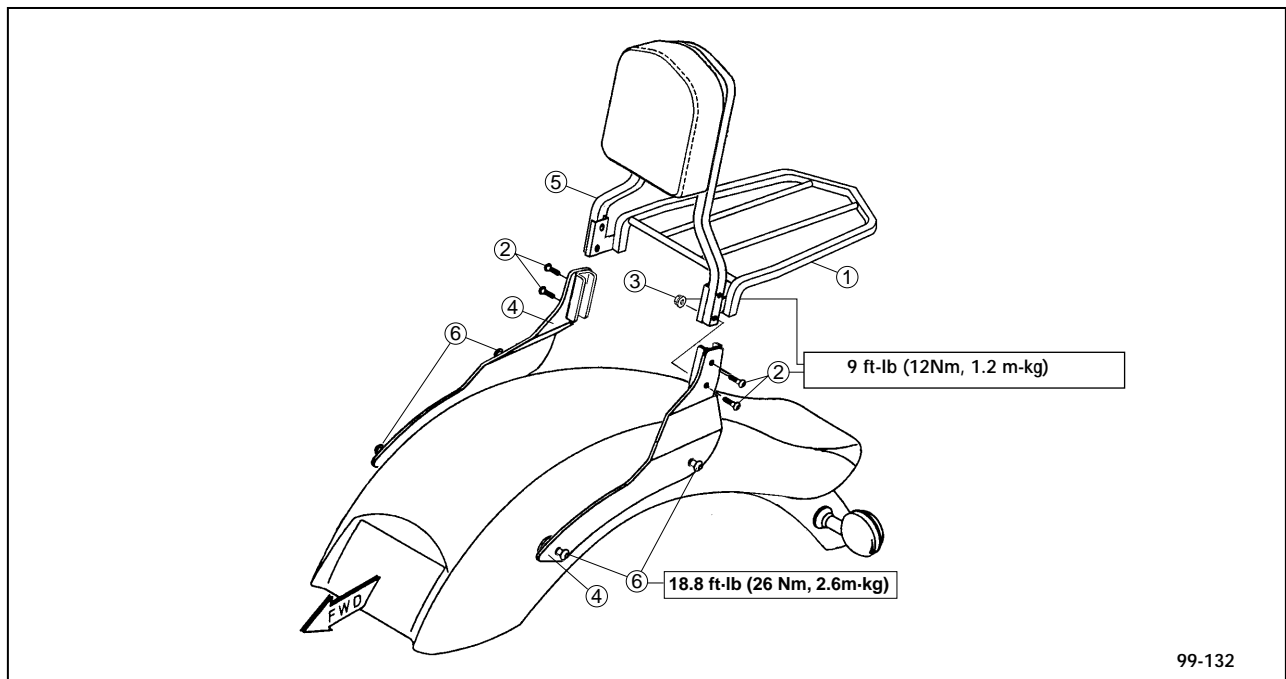
DEALER: These instructions contain important information for future reference and must be given to the customer.

MAXIMUM LUGGAGE RACK LOAD: 6lb (2.7 kg)

PARTS LIST			
Item	Part Name	Description	Qty
①	Rear Rack		1
②	Bolt, Button Head	M6-1.0 x 35mm	4
③	Nut, Hex Flange	M6-1.0	4
④	Side Arm	Order separately	REF.
⑤	Upright	Order separately	REF.
⑥	Side Arm Mounting Bolts	Included with Side Arms	REF.

TOOLS REQUIRED

- 1 10mm Comb. Wrench
- 1 5mm Hex Key Wrench
- 1 Torque Wrench



99-132

INSTALLATION

1. Place the motorcycle on level ground and securely on the side stand.
2. Install the backrest following the instructions included with the backrest Side Arms ④. Leave the mounting Bolts ⑥ loose in the fender to allow some Side Arm movement for easier Upright installation.

NOTE: If the backrest was installed previously, remove the bolts holding the Upright ⑤. Loosen the fender mounting Bolts ⑥.

3. Install the Upright ⑤ into the slots on the Rack ①, then slide this assembly into position on the Side Arm ④ mounts. Align the holes in the Rack, Upright, and Side Arm. Install the longer Bolts ② from this Rack kit instead of the original Upright bolts. Fingertighten the bolts.
4. When all four Bolts ② are installed through the Rack mounting holes, tighten the Side Arm mounting Bolts ⑥ to specification.

Tightening Torque:

18.8 ft-lb (26 Nm, 2.6 m-kp)

5. Tighten the Upright mounting Bolts ② to specification. Then install the Rack-mounting Nuts ③ and tighten them to specification.

Tightening Torque:

110 in-lb (9 ft-lb, 12Nm, 1.2 m-kp)

6. Complete installation by installing the backrest Pad, if used, following instructions included with the Side Arms and Upright.

MAINTENANCE

Periodically check mounting hardware for looseness and re-torque as required.

CARE AND CLEANING

Refer to your Owner's Manual.

CUSTOMER SERVICE

For more information regarding installation, please contact your Yamaha dealer.