

INSTALLATION INSTRUCTIONS
Windshield Kit
ABA-32S06-00-00
YW125 Zuma



⚠ WARNING

Please read and understand these instructions completely before installation to avoid possible injury to yourself or damage to the accessory or vehicle.

CAUTION:

This installation should be performed by an authorized Star dealer or a qualified mechanic. Some components require information from the Model's Service Manual for proper installation or adjustment. Be sure to have the Service Manual on hand, if necessary, before proceeding with the installation.

DEALER:

These instructions contain important information for future reference and *must* be given to the customer.

WARRANTY INFORMATION:

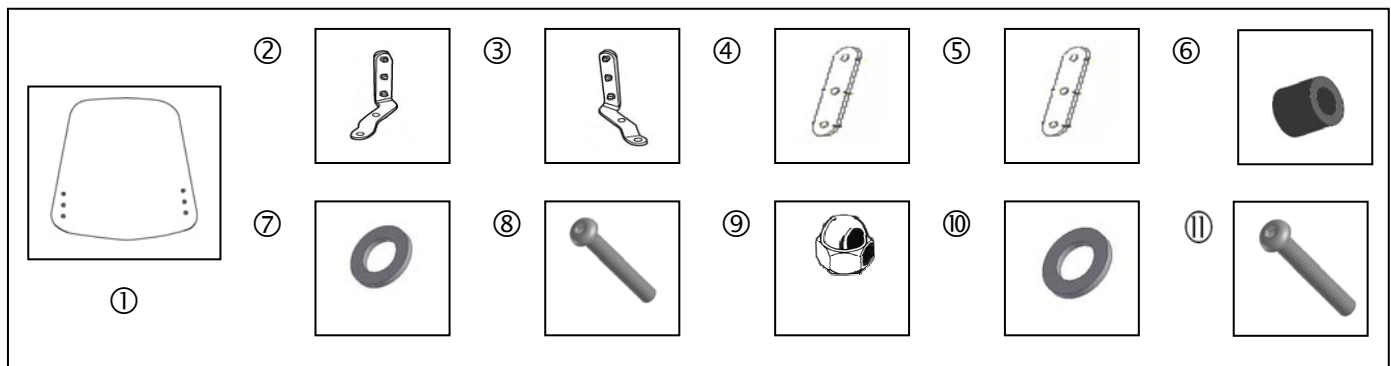
- Genuine Yamaha components are covered by a one year warranty against defects in material or workmanship. Labor for replacement of defective components is not covered. See your Yamaha dealer for a copy of the warranty statement.
- The Limited Warranty provided with new Yamaha vehicles has exclusions for certain failures, including those caused by competition or racing use (except YZ and WR motorcycle models) as well as by abnormal strain or abuse. While installation of these components will not "void" your vehicle's warranty, specific failures adjudged by Yamaha to have resulted from the installation of accessory components or other modifications, or from competition use (except YZ and WR motorcycle models), may not be covered by warranty or Yamaha Extended Service.

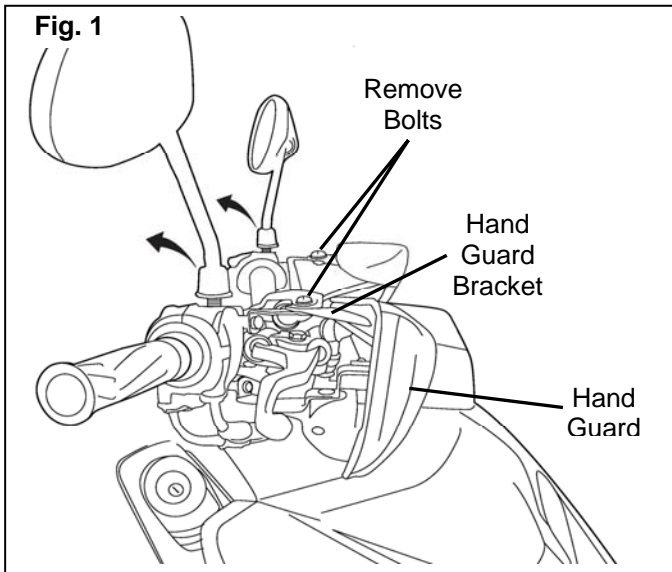
PARTS LIST:

This kit contains the following components. Before beginning installation, confirm there are no missing or damaged components.

| Item # | Part Number | Description | Qty |
|--------|-----------------|--|-----|
| -- | ABA-32S06-00-00 | Windshield Kit | -- |
| 1 | * | Windshield | 1 |
| 2 | * | Stay, LH | 1 |
| 3 | * | Stay, RH | 1 |
| 4 | * | Cover | 2 |
| 5 | * | Damper | 4 |
| 6 | * | Spacer | 2 |
| 7 | * | Plain Large Washer | 2 |
| 8 | * | Button Head Socket Screw (M5 x .8 x35mm) | 2 |
| 9 | * | Cap Nut | 6 |
| 10 | * | Plain Large Washer | 6 |
| 11 | * | Button Head Socket Screw | 6 |

* Part supplied with kit only and not available separately.





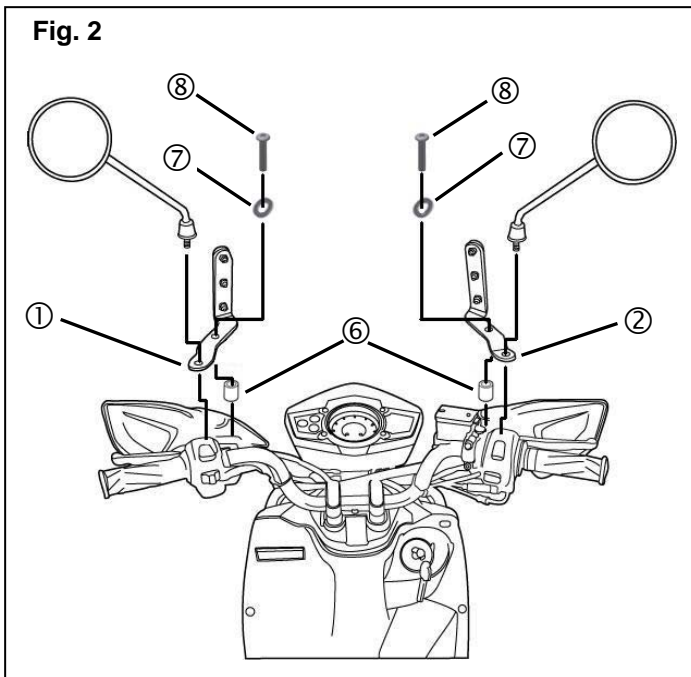
PREPARATION:

- Place scooter on a secure and level surface.
- Clean all mounting surfaces before beginning installation.
- Refer to Chapter 6 "Chassis" of the Service Manual for detailed disassembly instructions.
- Remove the stock side view mirrors (Fig. 1/Table A).

| Mirror | Loosen | Tighten |
|--------|------------------|------------------|
| Left | Counterclockwise | Clockwise |
| Right | Clockwise | Counterclockwise |

INSTALLATION:

- Remove bolt and washer securing the hand guard bracket to the turn signal bracket. Bolt and washer can be stored as they will not be re-used (Fig 1).
- Install left mirror into left stay ① and thread onto stock mirror mounting locations. Rotate the mirror and the stay together but do not tighten completely at this time (Fig. 2).
- Repeat step above to install the right mirror and right stay ②.
- Place spacers ⑥ between the hand guard bracket and the windshield stays as shown on figures 2 and 4.
- Insert washers ⑦ into button head socket screws ③ and feed through windshield stays, spacers and into captive nuts on turn signal bracket. Do not tighten bolts at this time (Fig. 2).
- Install windshield onto stays as shown on Figure 3.
- Tighten mirrors in place. Refer to Table A for mirror tightening procedures.
- Torque button head screws on windshield to 6 Nm (4.3 ft • lbs)
- Torque button head screws on hand guard bracket to 6 Nm (4.3 ft • lbs)



MAINTENANCE:

Periodically, check all hardware for tightness and re-torque as required.

CARE AND CLEANING:

Clean windscreen with Yamaha Windscreen Cleaner. Part # ACC-WNDSC-CL-NR

CUSTOMER SERVICE:

For further information, see your Yamaha dealer.

ESTIMATED TIME TO INSTALL: 0.5 HRS

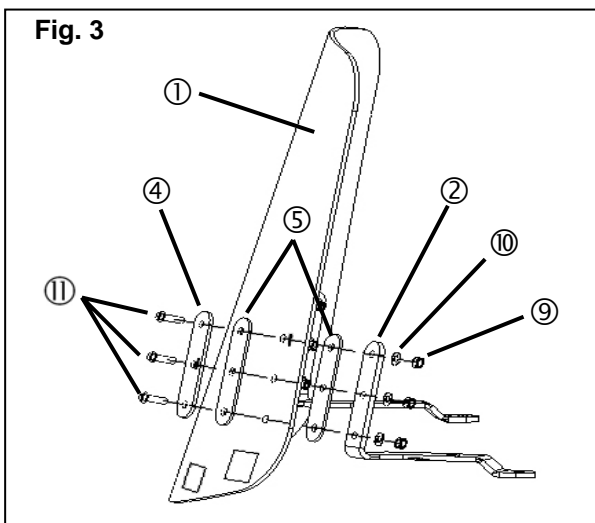


Fig. 4

