



INSTALLATION INSTRUCTIONS
Aluminum Frame Skid Plate Kit
1AS-F84N0-V0
Raptor 700

**⚠ WARNING**

Please read and understand these instructions completely before installation to avoid possible injury to yourself or damage to the accessory or vehicle.

CAUTION:

This installation should be performed by an authorized Yamaha dealer or a qualified mechanic. Some components require information from the Model's Service Manual for proper installation or adjustment. Be sure to have the Service Manual on hand, if necessary, before proceeding with the installation.

DEALER:

These instructions contain important information for future reference and *must* be given to the customer.

WARRANTY INFORMATION:

- Genuine Yamaha accessories are covered by a 30-day limited warranty against defects in material or workmanship. Labor for replacement of defective components is not covered. See your Yamaha dealer for a copy of the warranty statement.
- The Limited Warranty provided with new Yamaha vehicles has exclusions for certain failures, including those caused by competition or racing use (except YZ and WR motorcycle models) as well as by abnormal strain or abuse. While installation of these components will not "void" your vehicle's warranty, specific failures adjudged by Yamaha to have resulted from the installation of accessory components or other modifications, or from competition use (except YZ and WR motorcycle models), may not be covered by warranty or Yamaha Extended Service.

PARTS LIST:

This kit contains the following components. Before beginning installation, confirm there are no missing or damaged components.

| Item | Part Number | Description | Qty |
|------|--------------|--|-----|
| -- | 1AS-F84N0-V0 | Aluminum Frame Skid Plate Kit | -- |
| ① | * | Skid Plate | 1 |
| ② | * | Hook | 3 |
| ③ | * | Special Nut | 4 |
| ④ | * | Hex Head Flange Head Bolt (M6 x 1.0 x 16mm lg) | 3 |

* Part supplied with kit only and not available separately.

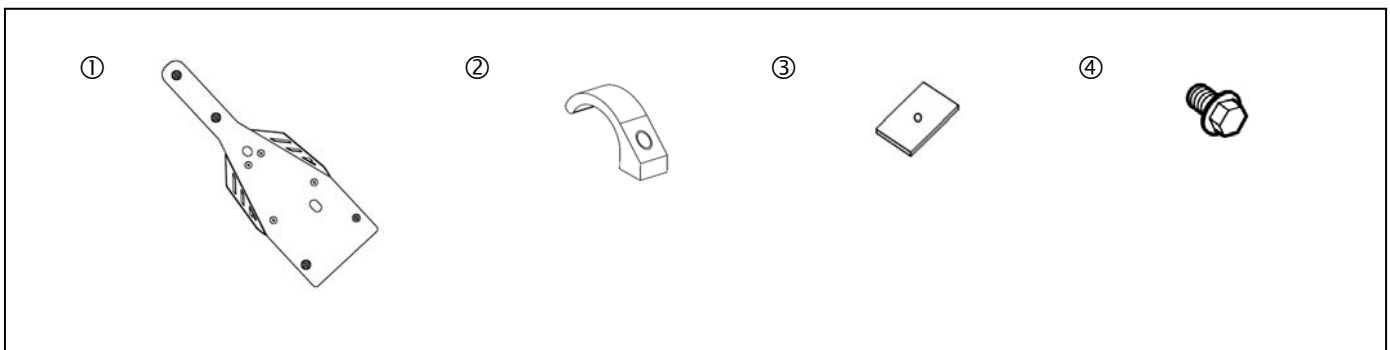
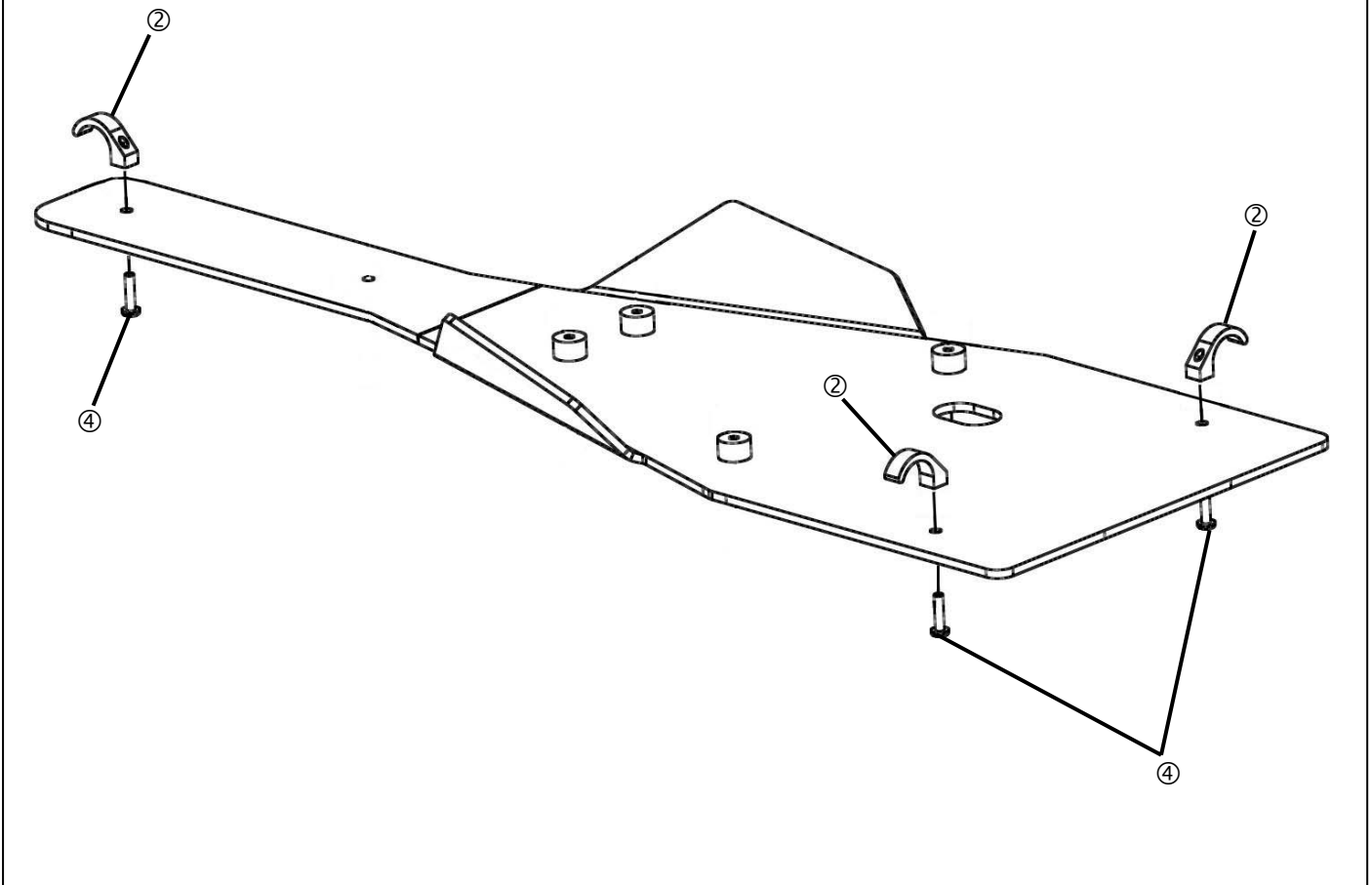


Fig. 1



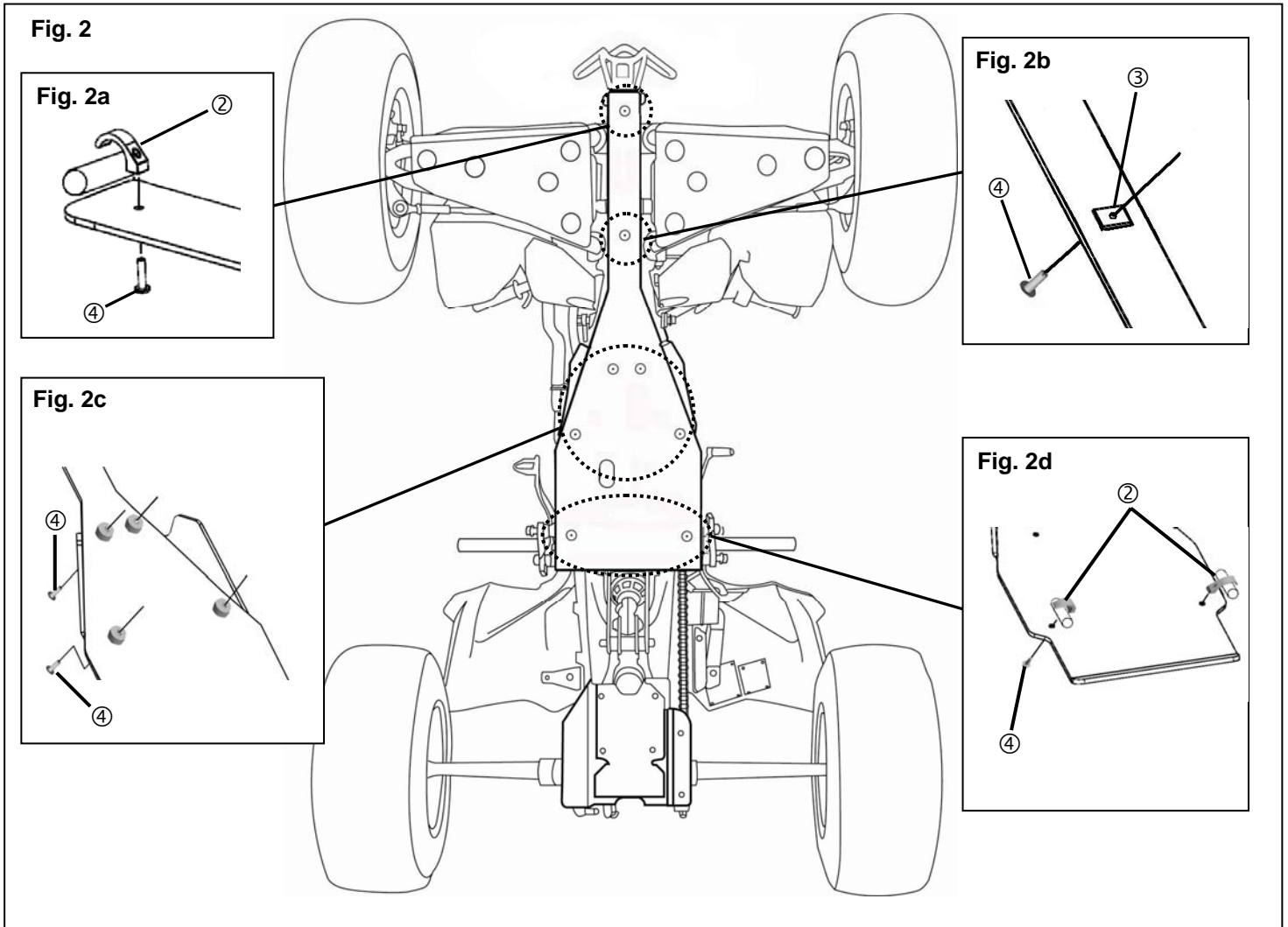
PREPARATION:

1. Place ATV on a secure level surface and set the parking brake.
2. Stand the ATV upright on the rear grab bar.

⚠WARNING

Be sure the ATV is stable before beginning work. You could be injured if it falls over. Be sure the fuel cap is tightened securely. Leaking fuel is a fire hazard.

3. Remove the stock skid plate. Store all hardware as it will not be reused.
4. Clean all mounting surfaces before beginning installation.
5. Loosely install the hooks ② onto the skid plate ① as shown in Figure 1.



INSTALLATION:

NOTE:



Apply Loctite® 242 to all fasteners
Part # ACC-24221-TL-00

1. Place the skid plate ① onto the underside of the ATV.
2. Start at the upper most mounting location by aligning the hook ② with the frame and hand-tightening the hex head bolt ④ (Fig 2a).
3. Place the special nut ③ on the frame and insert one hex head bolt ④ through the skid plate ①, the frame and into the special nut ③. Do not fully tighten the bolt at this time (Fig. 2b).
4. Carefully thread four hex head bolts ④, through the center mounting locations and into the frame. Do not fully tighten the bolts at this time (Fig. 2c).

5. Align the hooks ② at the rear mounting locations with the frame and hand-tighten the hex head bolts ④ to secure the hooks in place (Fig. 2d).
6. Torque all hex head bolts ④ to 7 Nm (5.1 ft • lb).

MAINTENANCE:

Periodically, check torque on all hardware. If loose hardware is found, remove hardware, clean off old Loctite®, re-apply fresh Loctite® and re-torque to specification.

CARE AND CLEANING:

Wash using a mild soap and water solution and a soft cloth.

CUSTOMER SERVICE:

For further information, see your Yamaha dealer.

ESTIMATED TIME TO INSTALL: 0.3 HRS