

INTRODUCTION

Please read and understand these instructions completely before installation to avoid any possible injury to yourself or damage to your ATV and/or accessory.

DEALER:

These instructions contain important information for future reference and must be given to the customer.

PARTS LIST			
ITEM	PART NAME	DESCRIPTION	QTY
1	Fairing Body	Black, Green, Red	1
2	Windshield	Clear	1
3	Upper Rod	Black	2
4	Lower Rod	Black	2
Bag 136			
5	Eyebolt	3/8" hole	4
6	Cup Spacer	Black	4
7	Lock Washer	Black	4
8	U-Clamp	Black	2
9	Bevel Washer	Black	8
10	Whizlok Nut	3/8-16	4
Bag 099			
11	Wellnut	Black	7
12	Washer	Finishing	7
13	Screw	10 x 32 x .875	7

TOOLS REQUIRED

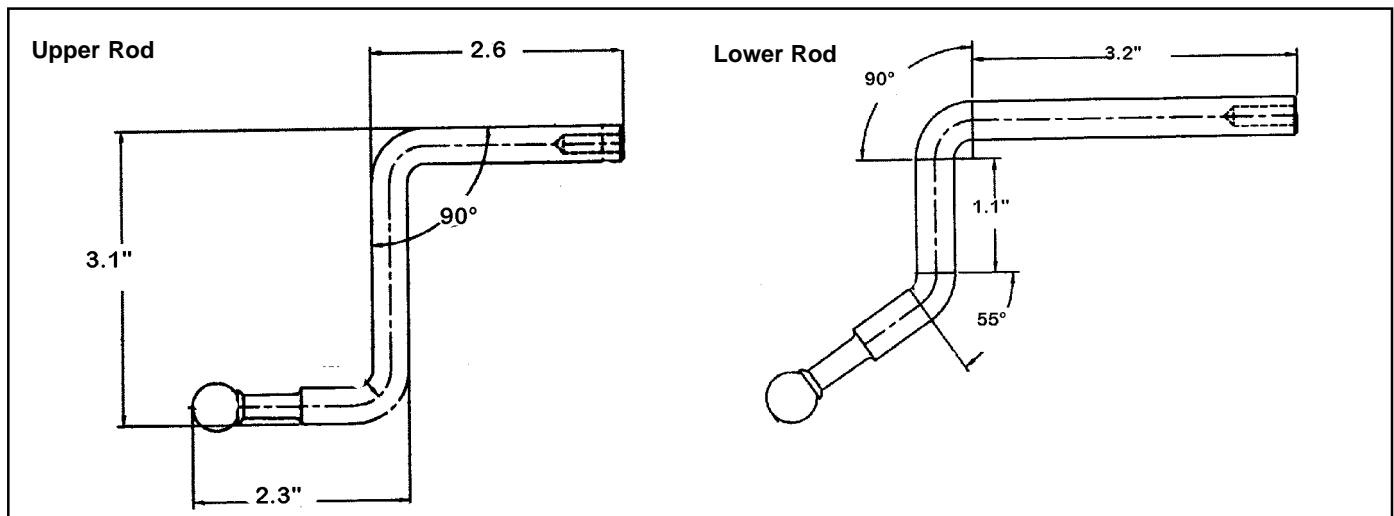
1 - Wrench, 9/16"

1 - Screwdriver, #2 Phillips

PREPARATION

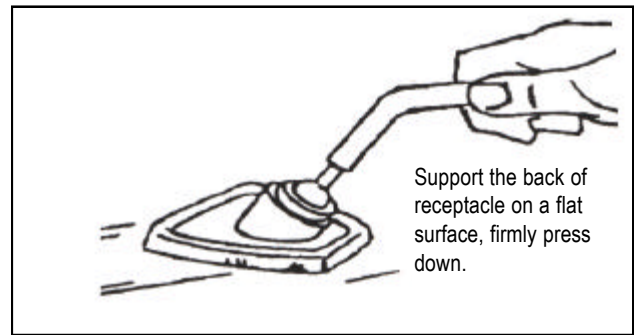
NOTE: Right and Left side of ATV is determined while sitting on the vehicle.

1. Identify upper and lower rods.

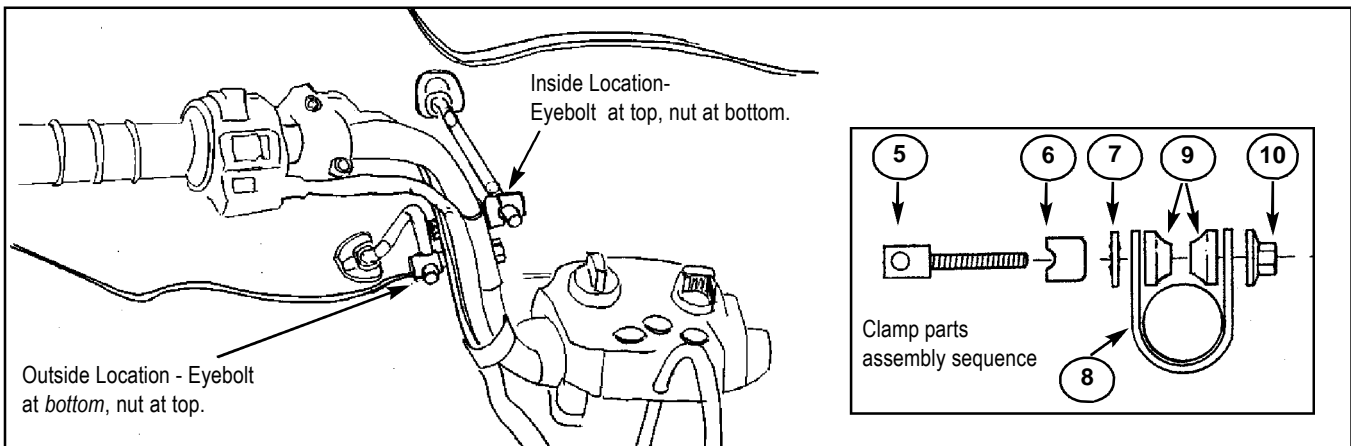


1. Support the mounting receptacle of the Fairing Body on a firm, flat surface, and firmly press ball end of upper rods into upper sockets. Ball will snap into place. Repeat for lower rods.

NOTE: If sockets are below 50° F., warm them with a hair dryer before installing rods. If lubricant is needed, use water or saliva only. Do not use oil, grease, silicone or other lubricants on the ball end rods or in the mount receptacles.

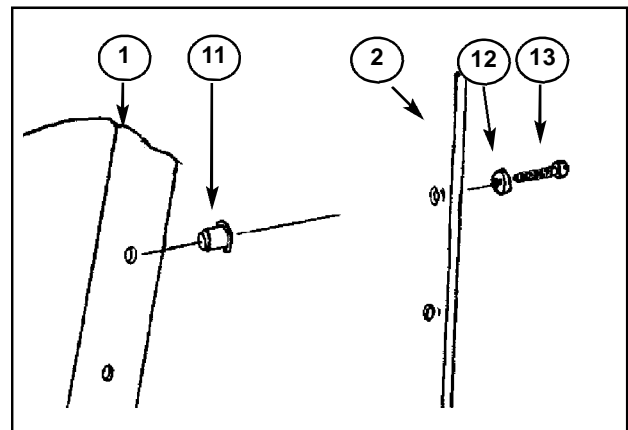


2. Install left side clamp assembly as shown. Install right side symmetrically opposite.



3. Mount fairing body in front of handlebar. Insert upper and lower rods into eyebolts as shown. Adjust the fairing body to be horizontal and centered in front of the headlight. The forward edge of the fairing body should be about 3/8" above the rack. Make sure the brake levers have a minimum 1/2" clearance to the fairing body.

NOTE: This fairing is intended to fit multiple vehicles, additional adjustments may be needed depending on the vehicle.



4. Fully tighten the eyebolt and whizlok nuts, checking fairing body alignment while proceeding.
5. **Install Windshield. Hardware Bag 099**
Hold Windshield in place on the fairing body. Start with the middle lower hole and insert a nylon screw through the screen from the outside. Secure with the whizlok nut.

CARE AND CLEANING

Refer to your Owner's Manual

CUSTOMER SERVICE

See your Yamaha Dealer